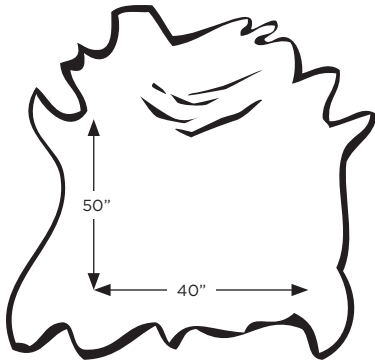
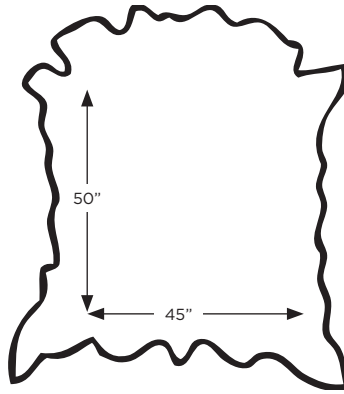


# QUICK GUIDE TO THE HIDE

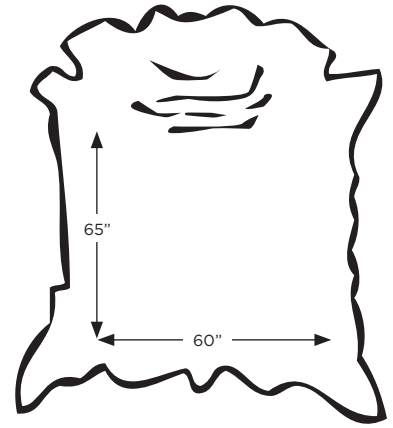
Hides are a natural product and vary in size and shape.  
Dimensions indicate an average usable area.



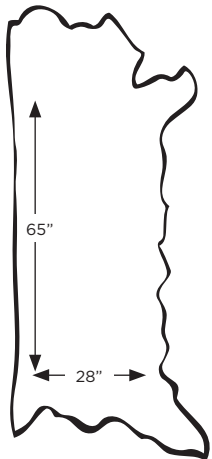
Calfskin



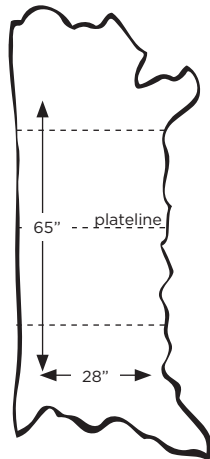
Kip



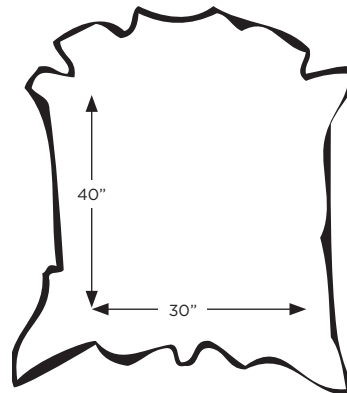
Cowhide



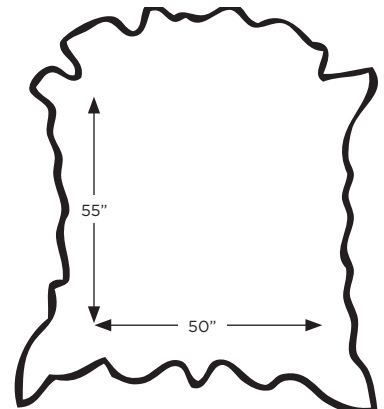
1/2 hide Cavallini  
(hair-on hide)



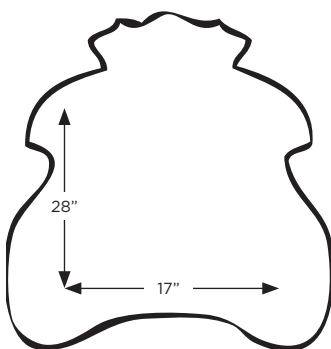
1/2 hide  
Embossed



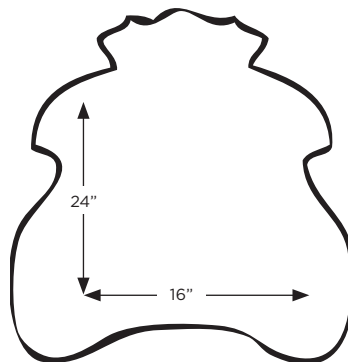
Suede



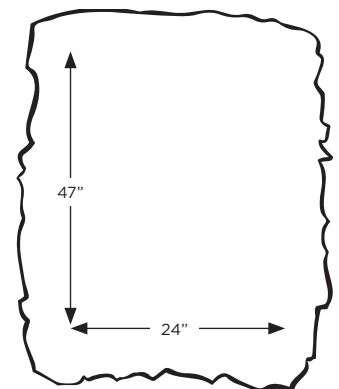
Shrunken Cow



Kashmir Shearling



Curly Shearling



Mongolian Shearling



**EDELMAN**  
LEATHER