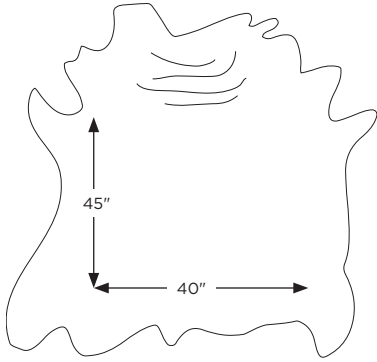
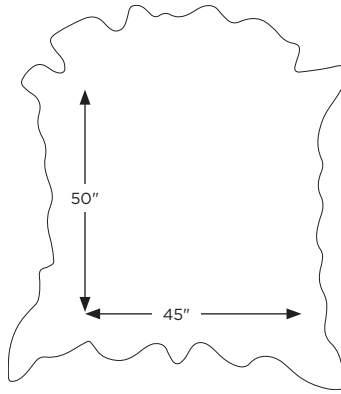


# QUICK GUIDE TO THE HIDE

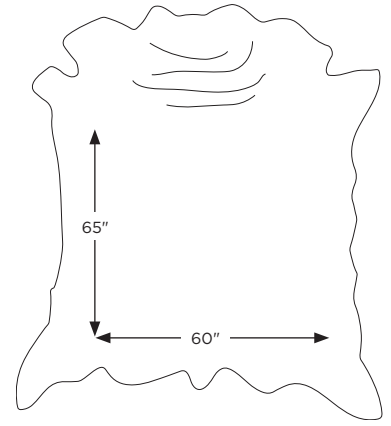
Hides are natural products and vary in size and shape.  
Dimensions indicate an average usable area.



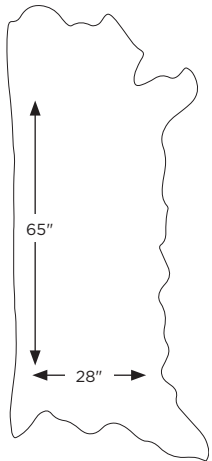
Calfskin  
Avg 32-34 sf



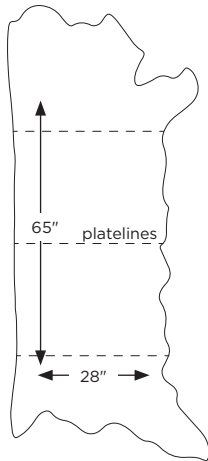
Kip  
Avg 40 sf



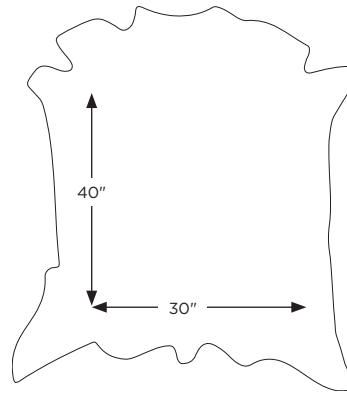
Cowhide  
Avg 50-55 sf



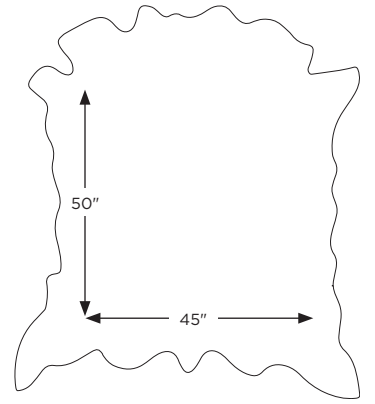
1/2 hide Cavallini  
(hair-on hide)  
Avg 28 sf



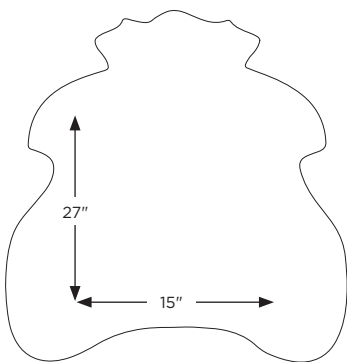
1/2 hide  
Embossed  
Avg 28 sf



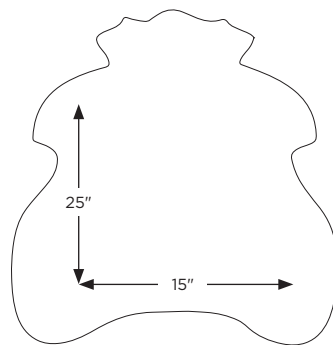
Suede  
Avg 17 sf



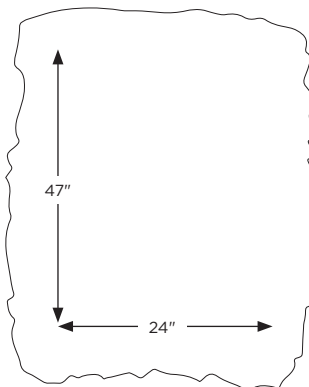
Shrunken Cow  
Avg 40 sf



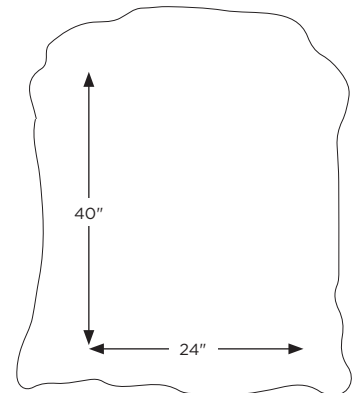
Curly Shearling  
Avg 6-8 sf



Kashmir Shearling  
Avg 5-6 sf



Mongolian Shearling  
Avg 8 sf



Tile Bend  
Avg 10 sf



**EDELMAN**  
LEATHER